

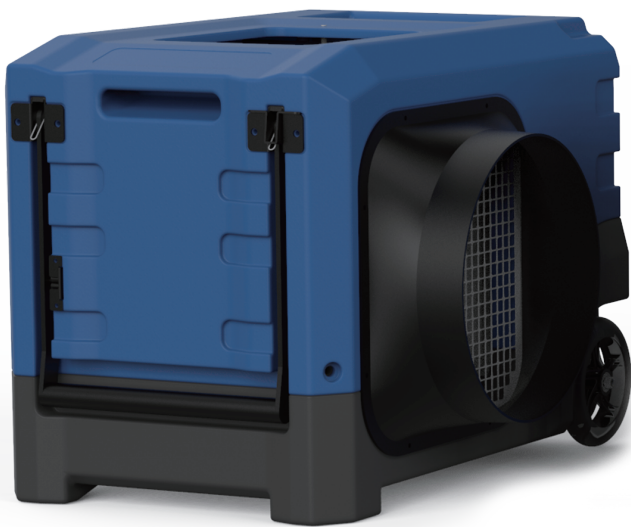
OWNER'S MANUAL

READ THIS MANUAL CAREFULLY BEFORE OPERATING



WATER DAMAGE SERIES

LGR Dehumidifier



IMPORTANT: After unpacking (or accidental tip-over) allow dehumidifier to stand upright for 20 minutes before starting

Important Instructions

Before installing and using your dehumidifier, please read this owner's manual carefully. Store this manual in a safe place for future reference.

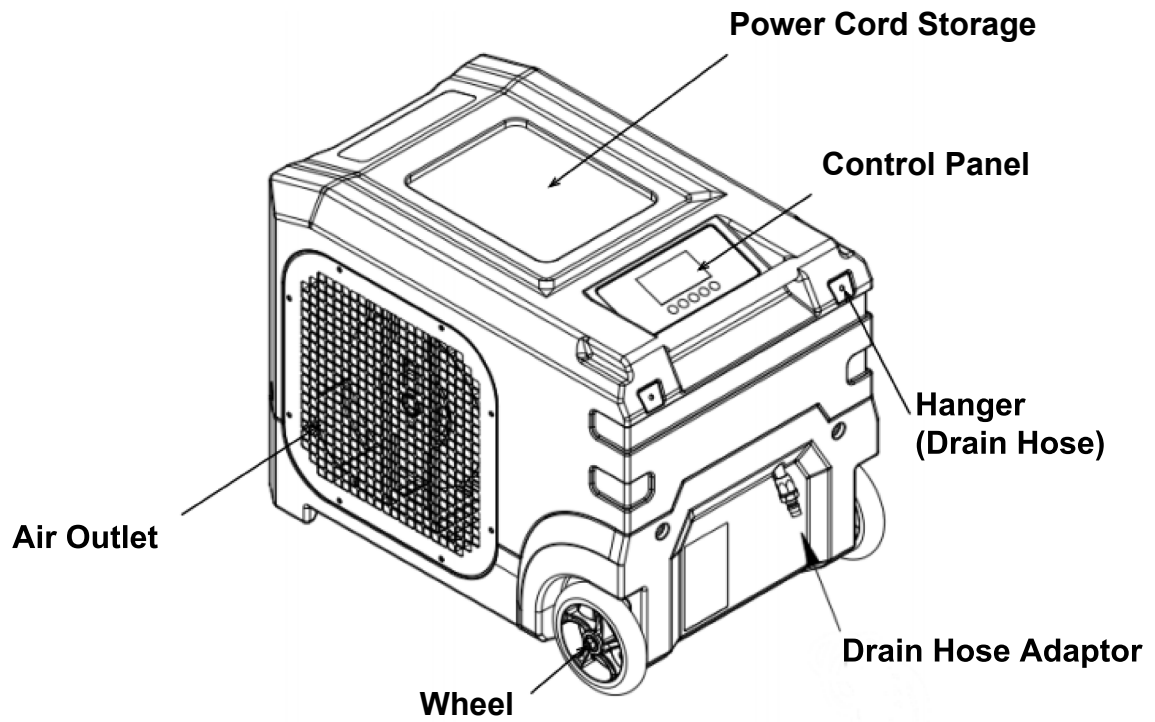
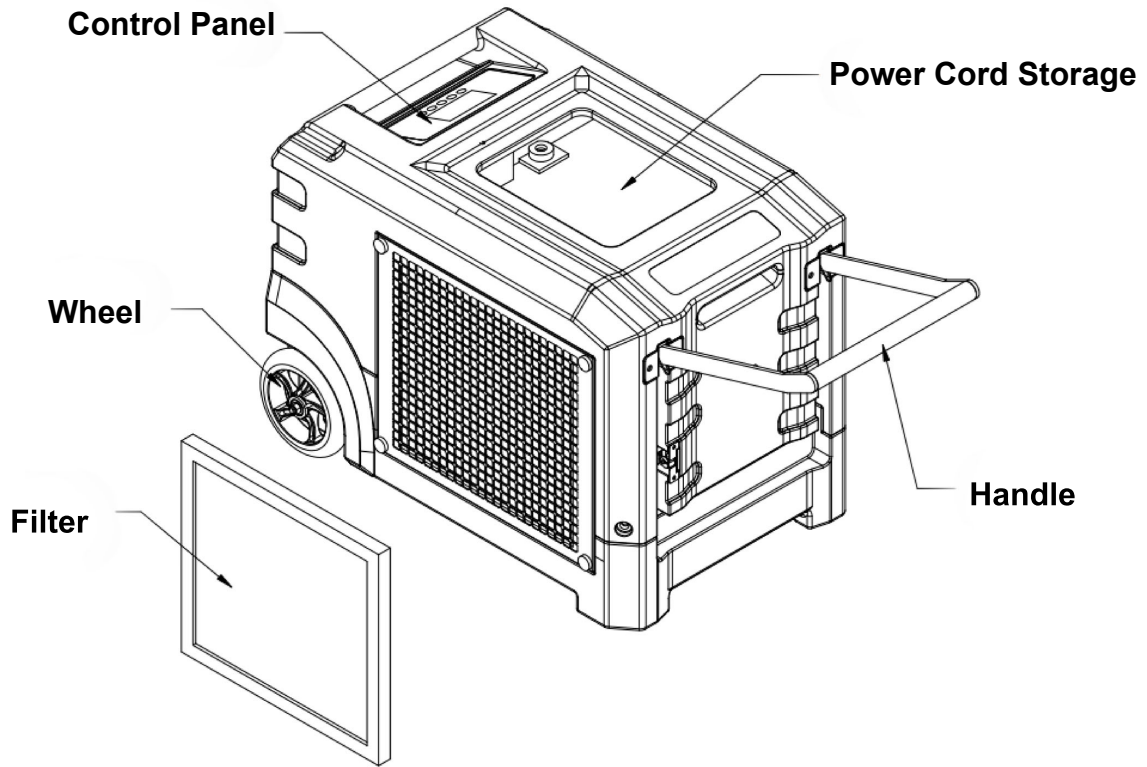
The use of electrical products may create hazards that include, but are not limited to injury, fire, electric shock. Failure to follow these instructions may damage and/or impair its operation and void the warranty.

Safety Tips

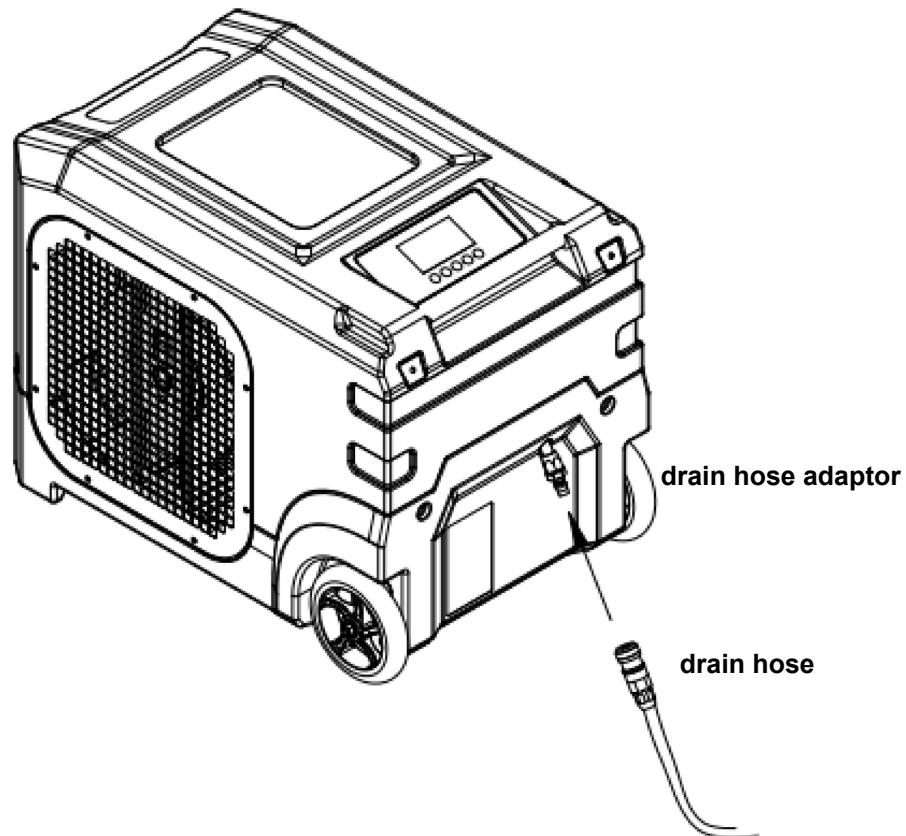
- Before operating, remove all packaging material and check for any damage that may have occurred during shipping or any missing items.
 - Check household power supply to ensure it matches the specification of appliance.
 - Always place the unit on a level surface.
 - **NEVER** use or store gasoline or other flammable vapor or liquid near this unit unless instructed by this manual.
 - **DO NOT** lay power cord under carpeting. **DO NOT** cover cord with throw rugs, runners, or similar coverings. **DO NOT** route cord under furniture or appliances. Arrange cord away from traffic area and where it will not be tripped over.
 - To reduce the risk of fire or electric shock, **DO NOT** use this appliance with any solid-state speed control devices.
 - **DO NOT** touch this appliance or the plug with wet hands or while standing in water.
 - Maintain a 12-18-inch clearance space around this unit. **DO NOT** block or cover air inlet or outlet grilles.
 - The unit must be connected to a correctly grounded power supply.
 - **DO NOT** start or stop the unit by inserting or pulling out the power plug.
 - **DO NOT** use an adapter plug or extension cord.
 - **DO NOT** use the unit in the immediate surroundings of a bath, a shower or a swimming pool.
 - **DO NOT** insert anything into the air outlet. **DO NOT** obstruct air inlet or outlet grills unless instructed by this manual.
 - **DO NOT** direct the air flow at human faces or bodies.
 - **DO NOT** let children play near this unit.
 - Always inspect the cord for signs of damage before use. If the power cord is damaged, it must be replaced by the manufacturer or a qualified service technician.
 - **DO NOT** attempt to repair or adjust any electrical or mechanical functions of this appliance, as this may cause danger and void the warranty.
 - If the appliance is damaged or it malfunctions, **DO NOT** continue to use it. Unplug the product and refer to troubleshooting guide or contact the seller.
 - Make sure the unit is turned off and unplugged before cleaning or servicing this unit.
- ★ This appliance is not intended for use by persons (including children) with reduced physical, sensory or mental capabilities, or lack of experience and knowledge, unless they have been given supervision or instruction concerning use of the appliance by a person responsible for their safety.
- Children should be supervised to ensure that they do not play with the appliance.
- If the supply cord is damaged, it must be replaced by the manufacturer, its service agent or similarly qualified persons in order to avoid a hazard.

Notice of Operation

- There have **3 minutes** protection wait when the dehumidifier re-start after compressor stopped working.
- The operated temperature is 33-110°F.
- We suggest wash/change the filter once very 3 months.
- Clean up the drain hose after operation to avoid hose stuck.
- Install the included drain pipe to the draining nozzle on the machine and direct the hose to the desired area before operating the machine. **Do not** block the drain hose. The end of the drain hose should not be higher than 16-feet above the outlet hole. If the drain hose end is too high, water will not drain properly and could damage the unit.



Drainage



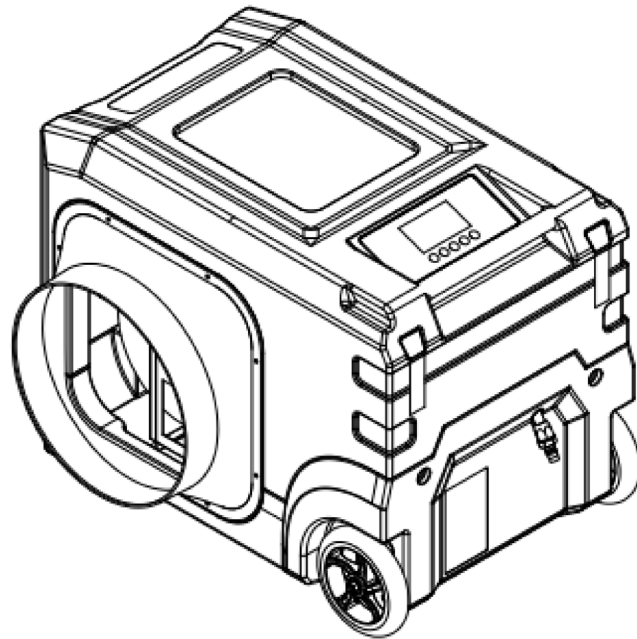
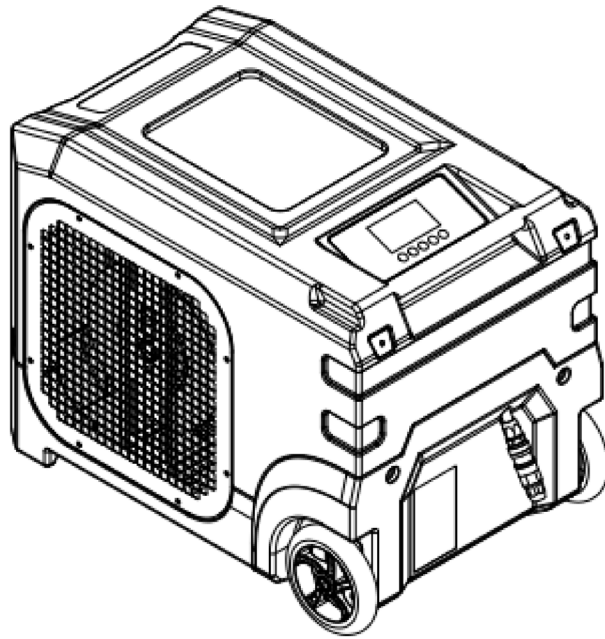
★ The minimum space required for device installation is L:2m*W:2m*H:3m

- Connect the drain hose to adaptor (clicking the end of the hose).
- Direct the hose to the drain area before running the machine.

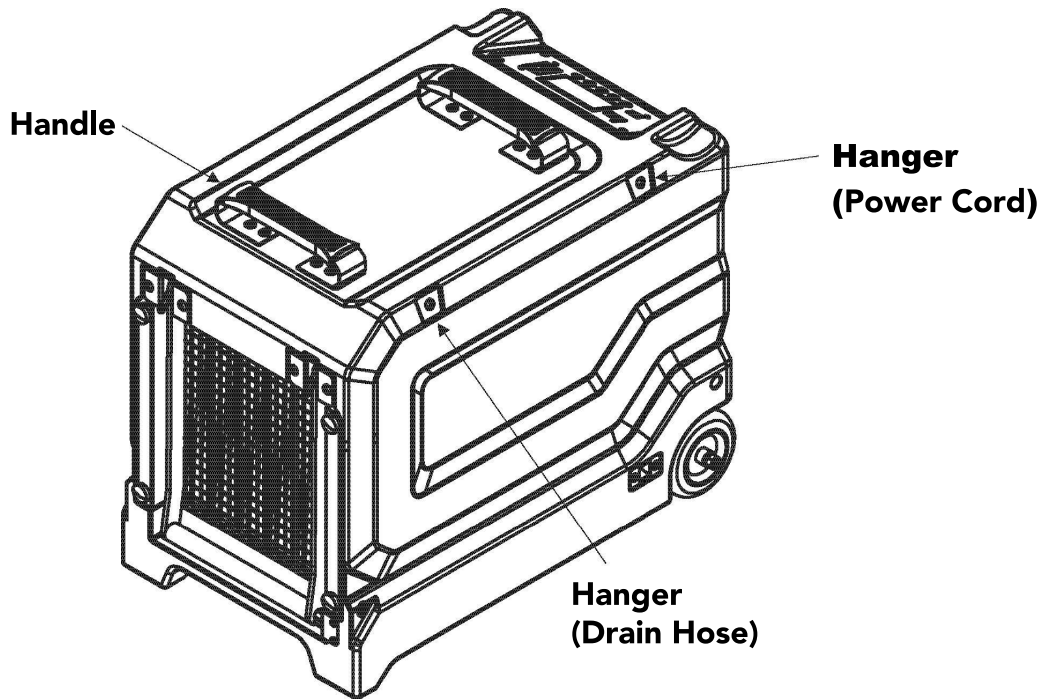
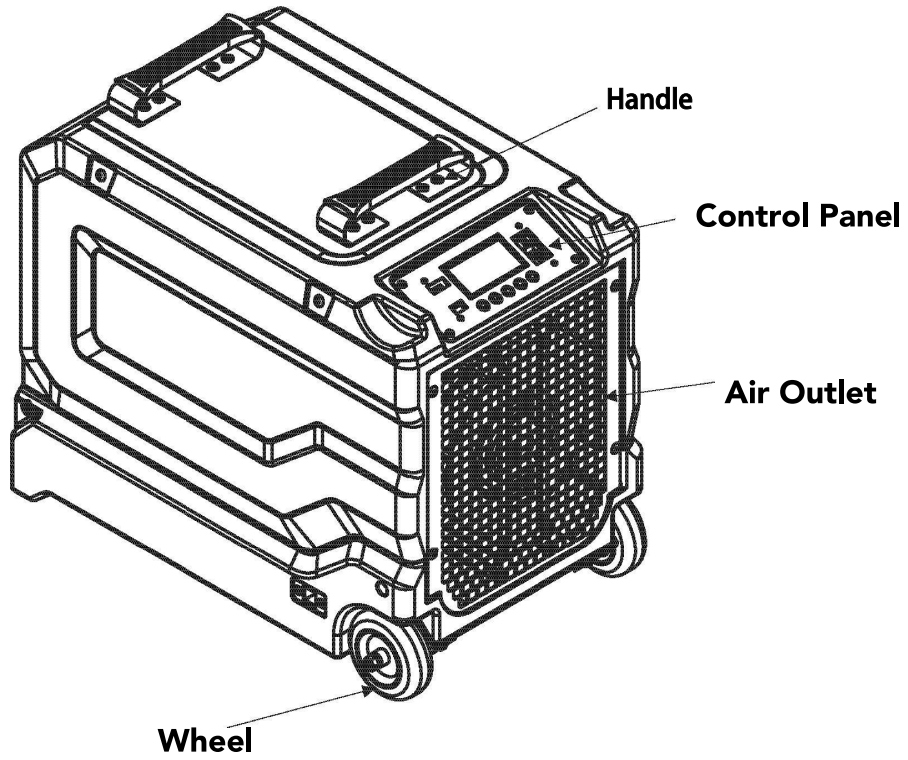
⚠ DANGER

Do not handle the plug with wet hands. Electric shock may occur, resulting in injury or death."

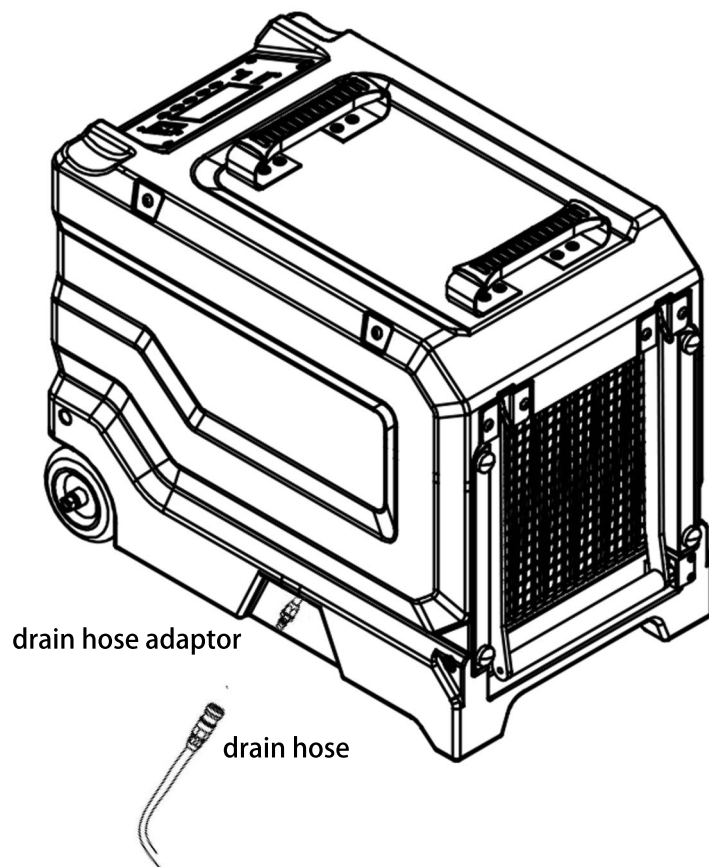
Adaptor



Remove the air-outlet cover with a cross screw-driver.
Install the air-pipe adaptor onto the unit(Notice: adaptor is an optional part and it will be delivered separately).



Drainage



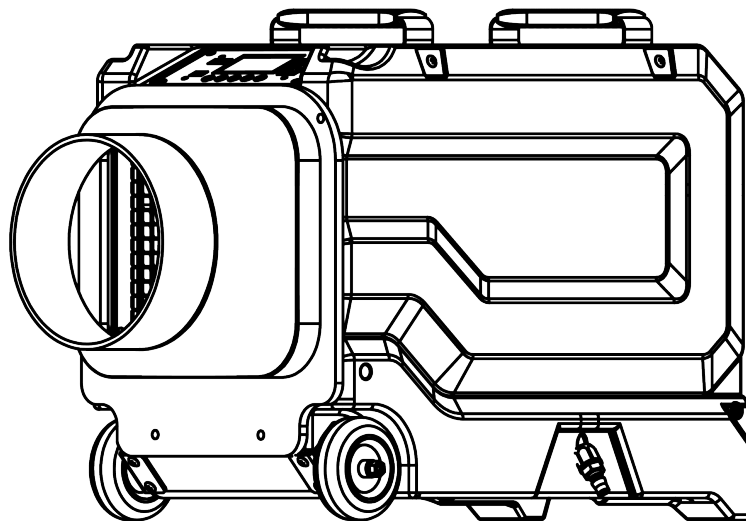
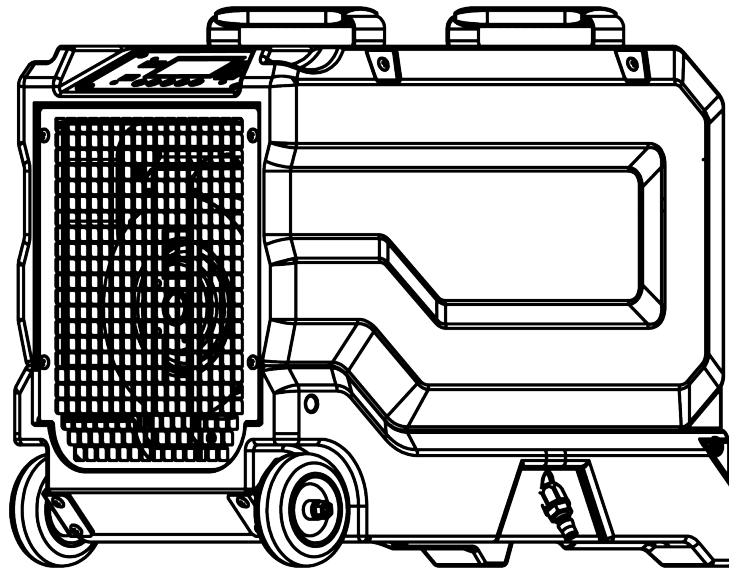
★ The minimum space required for device installation is L:2m*W:2m*H:3m

- Connect the drain hose to adaptor (clicking the end of the hose).
- Direct the hose to the drain area before running the machine.

⚠ DANGER

Do not handle the plug with wet hands. Electric shock may occur, resulting in injury or death."

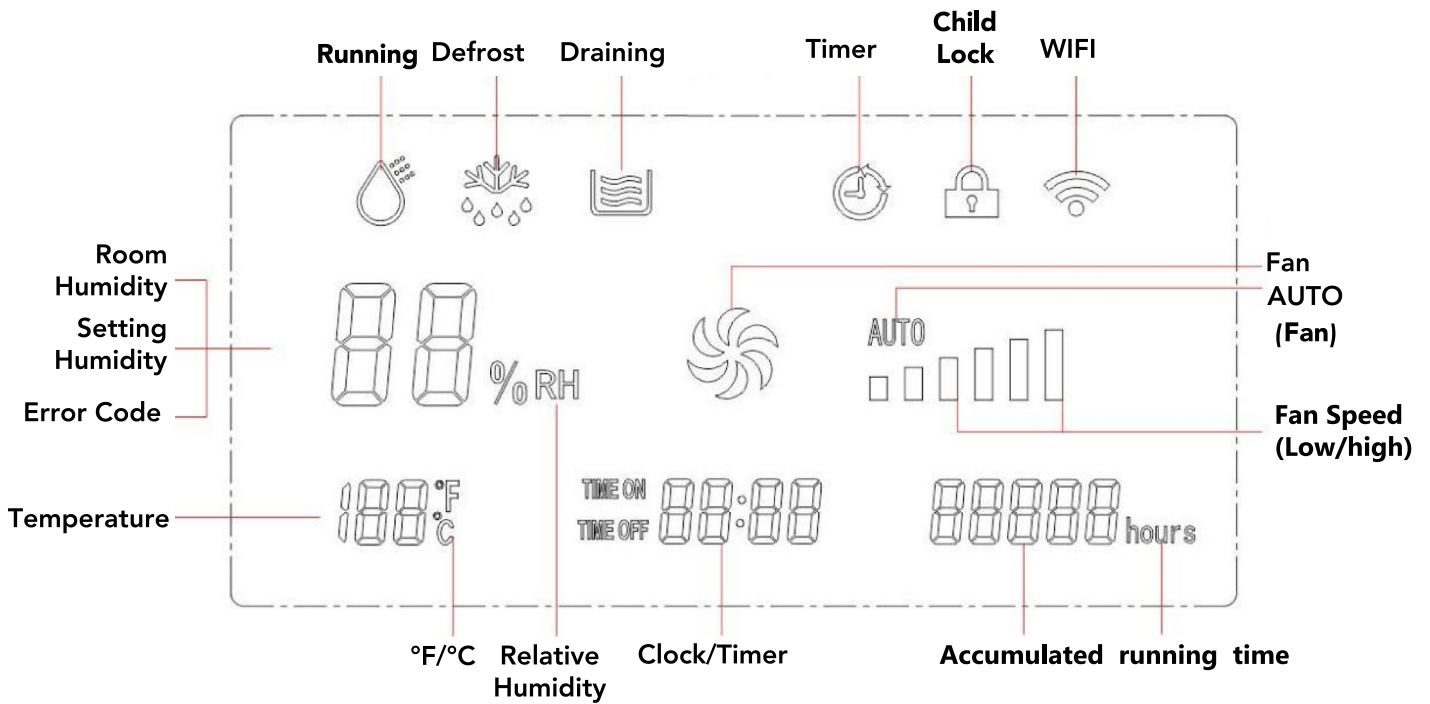
Adaptor



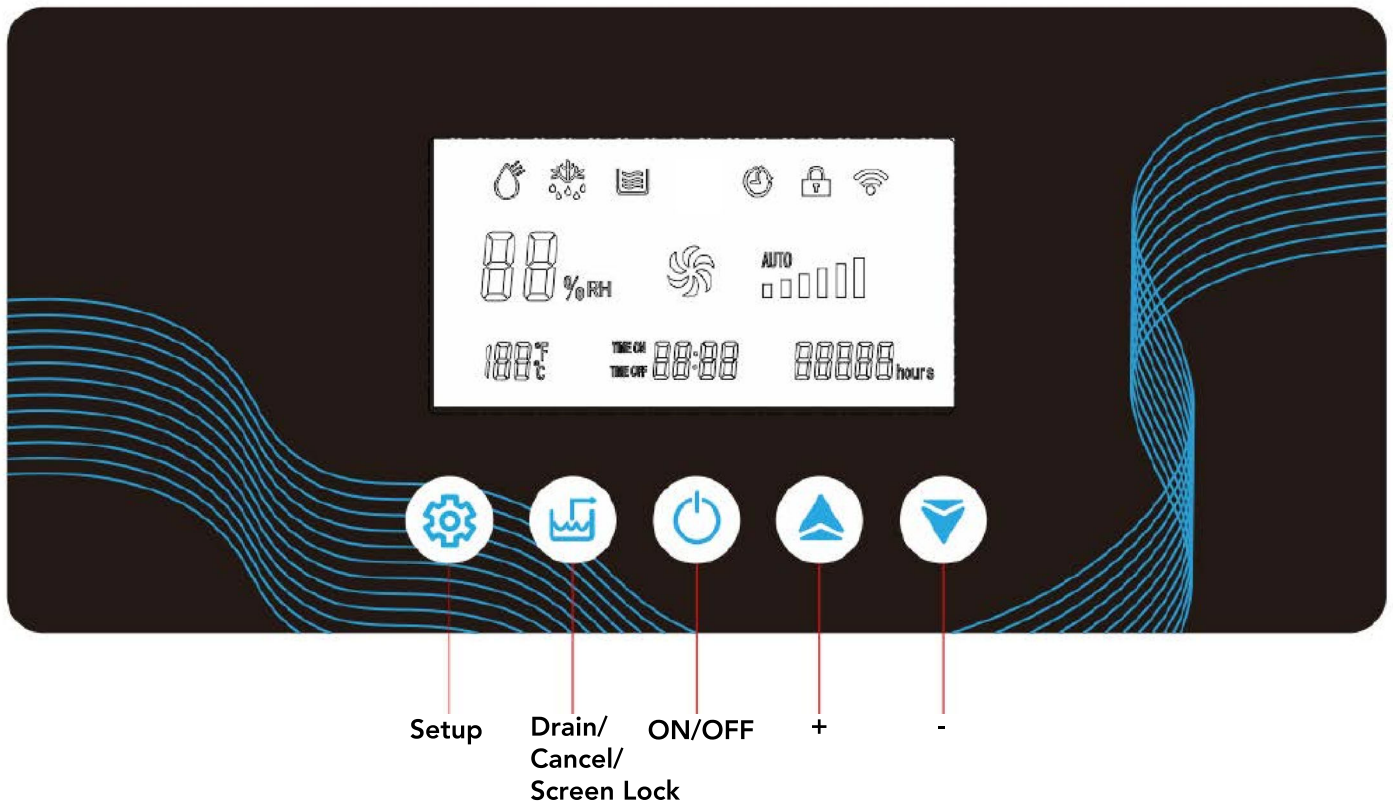
Remove the air-outlet cover with a cross screw-driver.
Install the air-pipe adaptor onto the unit(Notice: adaptor is an optional part and it will be delivered separately).

Control Panel

Indicators



Buttons



Buttons



Start / shut-down the dehumidifier



Setup system features. Press once to enter the following settings: Fan Speed -- Timing -- Clock -- Temperature Scale --Shutdown drainage -- Duration of drainage -- IP address inquire/set -- Save and exit. Press and hold for 3 seconds to reset WiFi Module.



1. Press once to activate water-pump and start draining out water (when the unit is shut-down, press once also activates water-pump, with power-cord is plugged still).
2. Press once to cancel the setting under "timing setting" menu.
3. When the unit is running, press and hold for 3 seconds to lock the screen (screen-lock indicator will flash). Repeat again to unlock the screen (or use mobile connection to unlock by App).
4. Screen-lock feature is invalid when the unit is shut-down.



Add / decrease the value of setting fan speed, timing on/off, clock, humidity and temperature scale.

Indicators / symbols (on the screen)



Running

This indicator is solid on when the dehumidifier is running



Humidity Value

This indicator is room relative humidity (RH) reading value under default mode. During setting humidity, the symbol will flash to display setting value. After flashing for 3 seconds (without changing setting value), it will resume room RH display mode again

RH setting range is from 30% up to 90%. Factory setting value is 30%. Press "+" or "-" every time to change setting value by 1% each. Press and hold for 3 seconds to enter FAST changing feature. It will resume displaying room RH without any action after 3 seconds



Defrost

This indicator is solid on when the dehumidifier is defrosting



Draining

This indicator flashes when the dehumidifier is draining water out (both automatic and manual modes) Screen will show error code and the symbol flashes if draining is not successful. The water pump automatically drains water for 40 seconds when shut down



Clock/Timer

When this symbol is solid on means timing function has been activated



Timing Setting

1) Power-on timing setting

After entering the timing setting by pressing "Setting" button, press "+" or "-" buttons to adjust 1 hour unit, and press for 3 seconds for FAST changing. The setting value is in a cycle of 00 to 23.

Press the set key again to enter the minute setting (or leave the hour setting for 3 seconds with no action), press "+" or "-" buttons to adjust for 1 minute unit, and press 3 seconds for FAST changing. The setting value is in a cycle of 00-59. Press the "Cancel" (Drain button) to cancel the timing setting. The current time changes to 00:00. Press the set button again to enter the timer off setting.

2) Shut-down timing setting

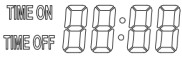
Repeat above setting method to setup dehumidifier's shut-down timing.



Tips – Timing Setting is NOT "Count-down" setting.

After Timing Setting is completed, it will execute on-time.

If Timing Setting is same as current time, then the unit will execute right away.



Clock setting

After entering the clock setting, the setting method is the same as timer on.

Note: Pressing the cancel key (drain key) at this time cannot cancel the current clock setting. Press the Set key again to enter the temperature scale setting.



Child Lock

Hold down the drain key to start the child lock function, and the child lock icon blinks. Other operations are invalid except holding down the drain key or the mobile APP to unlock the keys.



WiFi

When this indicator blinks, it means the machine is in the network configuration state. When the indicator is on, the WIFI connection is successful.



Fan speed

When this icon is displayed dynamically, the fan is working. When this icon is displayed statically, the fan is stopping. The fan speed will automatically select high or low according to the room humidity.



means high fan speed.



means low fan speed.

Notice: Always let the machine works on high fan speed or low fan speed automatically. If it is to be operated manually, it must be operated by professionals



Temperature scale Setting

After entering the setting of temperature scale, the icon of temperature scale blinks. Press the plus or minus to switch the temperature scale between °C and °F.



Accumulative Work Time

The dehumidifier starts timing when it is turned on, and the maximum timing is 99999 hours (return to zero after reaching the maximum).

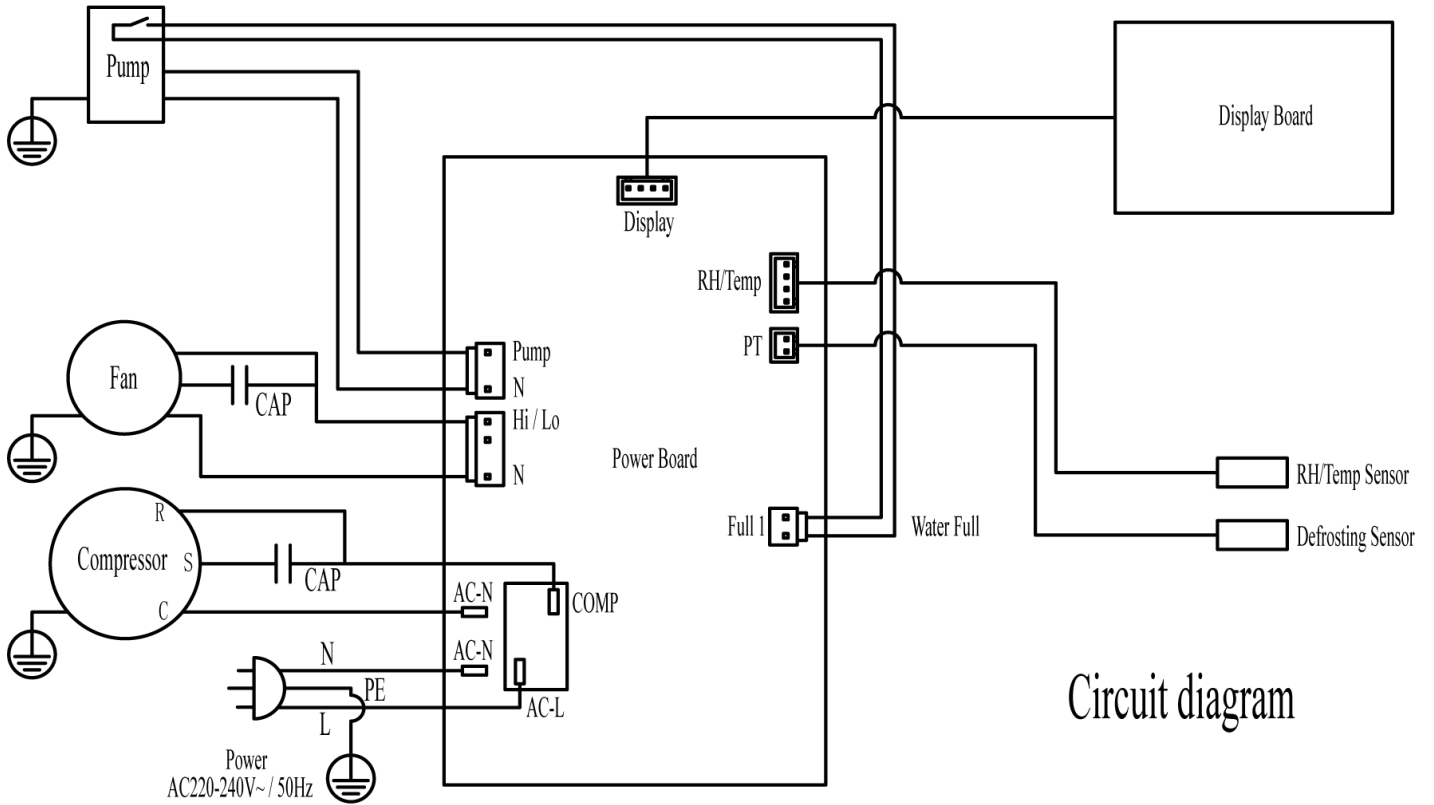
APP Control

See APP instructions for details

Technical Specifications

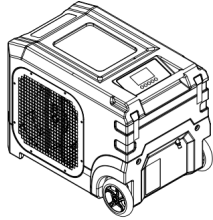
Model	LGR155A	LGR85A
Power supply	220-240V~50Hz	220-240V~50Hz
Rated input current	6A	4A
Rated input power	1291W	833W
The air volume	571m ³ /h	450m ³ /h
Dehumidification capacity (26.7°C / 60%RH)	73Kg/D	40Kg/D
Dehumidification capacity (40°C / 20%RH)	16Kg/D	10Kg/D
Filter	304SUS	304SUS
Power plug length	7.62m	7.62m
Water pipe length	6m	6m
Net weight	40.5 kg	38kg
Unit size	720*490*546mm	541*312*470mm
Refrigerant/Charge	R410A/730g	R410A/600g

Wiring Diagrams



Items Included

LGR155A



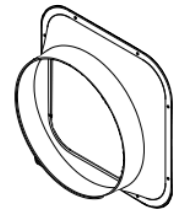
Dehumidifier*1



Drain hose 20 feet x 1

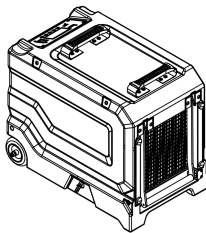


Manual x 1



12-inch outlet adaptor (Options)

LGR85A



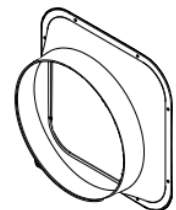
Dehumidifier*1



Drain hose 20 feet x 1



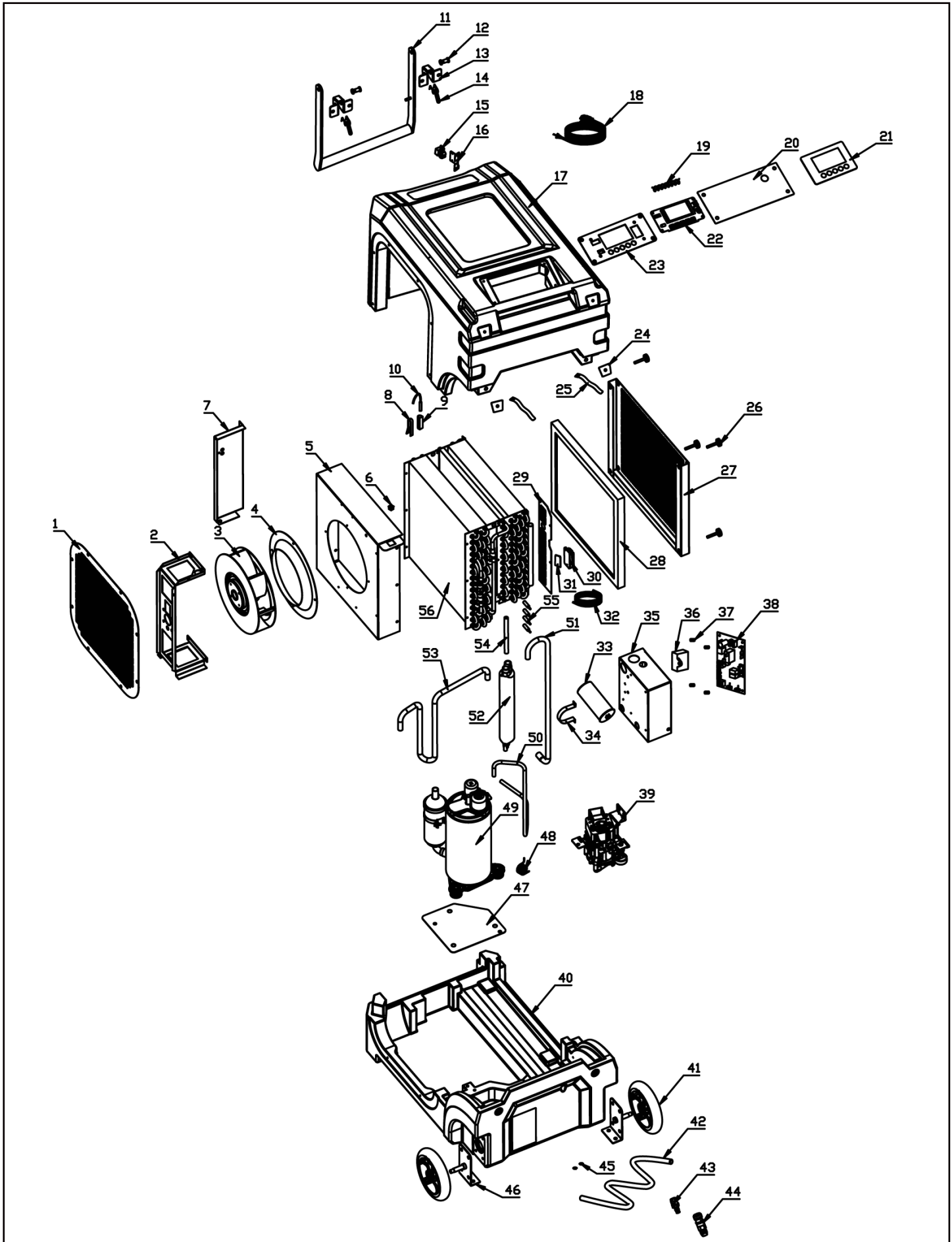
Manual x 1



10-inch outlet adaptor (Options)

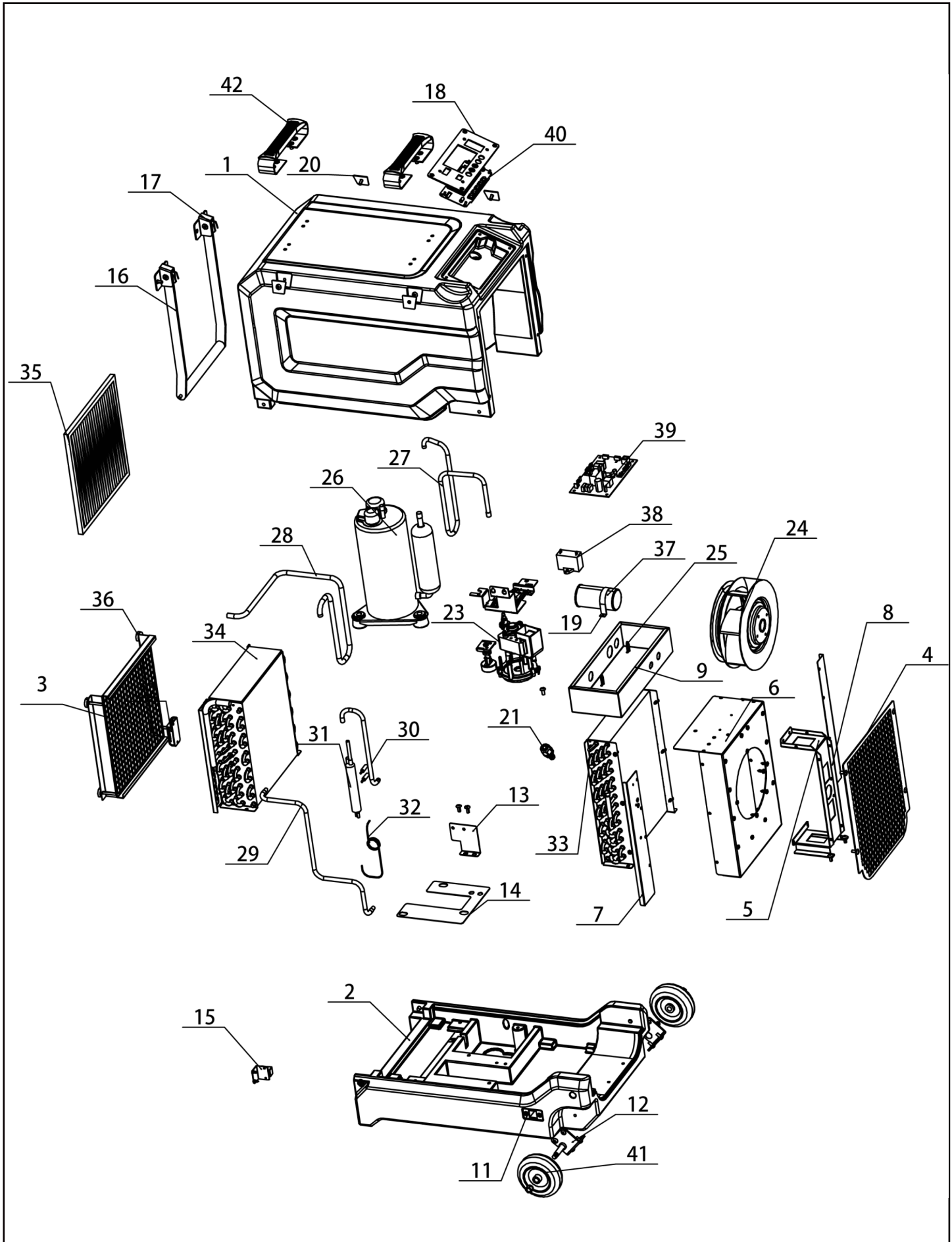
Error Codes

Code	Description	Solution
E0	Communication failures	Reconnect the communication cable or replace it
E1	Humidity sensor fault	Reinstall the sensor or replace it with a new one
E2	Temperature sensor failure	Reinstall the sensor or replace it with a new one
E3	Water full alarm/malfunction	Check whether the drain hose is blocked or replace the water pump
E4	The coil temperature sensor is faulty	Check the sensor connection or replace it Call local distributor for service help
E9	Fan error	Check fan power and signal cables connection Reconnect these two cables if necessary Call local distributor for service help



Parts list

No.	Part Description	Quantity	No.	Part Description	Quantity
1	Air outlet panel	1	29	Air inlet panel 2	1
2	Fan support	1	30	Humidity sensor box	1
3	Fan motor	1	31	Humidity sensor	1
4	Fan guide ring	1	32	Connect cables of the T/H sensor	1
5	Air Baffle	1	33	Compressor capacitor	1
6	Power cord sheath	1	34	Capacitor hoop	1
7	Baffle	1	35	Electrical box	1
8	Temperature sensor fixing 1	1	36	Fan capacitor	1
9	Temperature sensor fixing 2	1	37	hexagonal isolation column	4
10	Temperature sensor	1	38	main board	1
11	Handle	1	39	Water pump	1
12	Handle fixing screws + nuts	2	40	Base plate	1
13	Handle fixing parts 1	2	41	Wheels	2
14	Torsion spring	2	42	Water pipe	1
15	Handle buckle	1	43	Quick connector 1	1
16	Handle fixing parts 2	1	44	Quick connector 2	1
17	Cover	1	45	Hose clamp	2
18	Power cord	1	46	Wheels fixings	2
19	Display board connection line	1	47	Compressor base plate	1
20	Display board cover	1	48	Capillary	1
21	Control panel sticker	1	49	Compressor	1
22	Display panel	1	50	Exhaust pipe	1
23	Display board support	1	51	Filter connecting pipe	1
24	Water pipe strap fixings	2	52	filter drier	1
25	Velcro strap	2	53	Low-pressure tube	1
26	Air inlet fixing	4	54	Refrigerant injection tube	1
27	Air inlet panel 1	1	55	High pressure tube	4
28	Filter	1	56	Heat exchanger	1



Parts list

No.	Part Description	Quantity	No.	Part Description	Quantity
1	Cover	1	29	Positive and auxiliary condenser connecting pipe	1
2	Lower shell	1	30	Auxiliary condenser filter drier connecting pipe	1
3	Into the gate	1	31	Filter drier	1
4	Out the gate	1	32	Capillary tube	2
5	Fan support	1	33	Condenser	1
6	Middle support	1	34	Evaporator + Small Condenser	1
7	Left windshield	1	35	Filter	1
8	Right windshield	1	36	M5 hand screw nut	1
9	Electrical box	1	37	Fan capacitor	1
10	Power cord fixing plate	2	38	Press Capacitor	1
11	Air duct guide plate	1	39	K20 power board (SPA)	1
12	Axle Assembly	1	40	K30 display board	1
13	water pump fixing plate	1	41	4 inch medium wheel	2
14	Buckle fixing block	1	42	Handle	2
15	Compressor pad				
16	Tie rod components	1			
17	Tie rod retainer 1	2			
18	Display board bracket	1			
19	Capacitor Hoop	1			
20	cable tie cover	4			
21	water pipe quick connector	2			
22	Temperature and humidity sensor box	1			
23	water pump	1			
24	Electric motor	1			
25	Button type hexagon isolation column	4			
26	Compressor	1			
27	Return pipe	1			
28	Exhaust pipe	1			

NOTE

NOTE

NOTE

Note: All design and specifications herein are subject to change without notice for product improvement.

**Thank you for selecting our
restoration series dehumidifier**