



## **ALGR130L Water Damage Restoration Dehumidifier**

The ALGR130L dehumidifier is the Australian version LGR165 dehumidifier. The machine is vertical and easy to move. Preair produces the [ALGR130L water damage restoration dehumidifier](#) is to meet the need of the Australian customers. Countries in different regions have various requirements for using electricity. Different versions of dehumidifiers imply the social responsibility shouldered by Preair company. To solve the world humidity problem is our mission. As a professional dehumidifier OEM/ODM, Preair can provide you practical humidity solutions and help you save money.

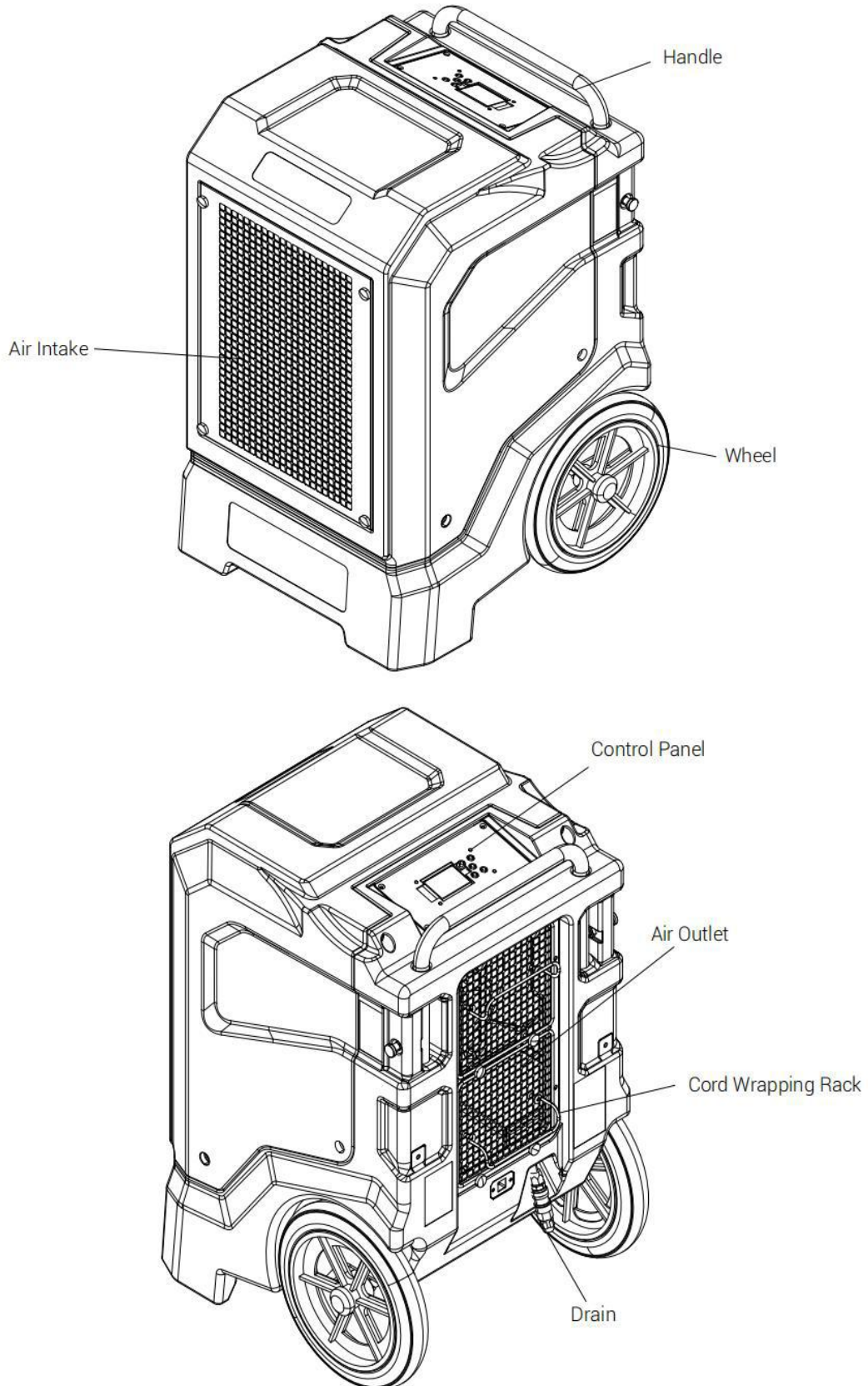


## Specifications of ALGR130L Flood Dehumidifier

No.	ALGR130L (Australian)
Power Supply	220-240V/50Hz
Rated Current	5.7 A
Rated Power	1230 W
Dehumidification Capacity	130 L/Day(30°C/80%RH)
Working Temperature Range	5°C - 38°C
Humidity Setting	20%RH-90%RH
Product Dimensions	560*589*842 mm
Packaging Dimensions	690*640*880 mm
Net Weight	57.5 Kg
Gross Weight	62.5 Kg
Refrigerant/Refrigerant Charge	R410A / 1.3kg
Drainage Way	Water Pump
Filter Material	SUS304
Drain Pipe Length	6 M
Loading Quantity(20'/40'/40'HQ)	54 / 108 / 162



## Structure of ALGR130L Dehumidifier For Flood







## Applications of ALGR130L Dehumidifier

