



ALGR65 Dehumidifier For Basement With Drain Hose

Preair ALGR65 dehumidifier is specifically made for Australian customers to meet their local requirements for socket and power current. The [ALGR65 dehumidifier for basement](#) has outstanding dehumidification performance and a simple drainage mode. When this kind of dehumidifier product is mentioned, two labels will emerge in front of your eyes, which are efficient and energy-saving. LGR series of dehumidifiers are the result of painstaking research and concerted efforts of all the staff of Preair.

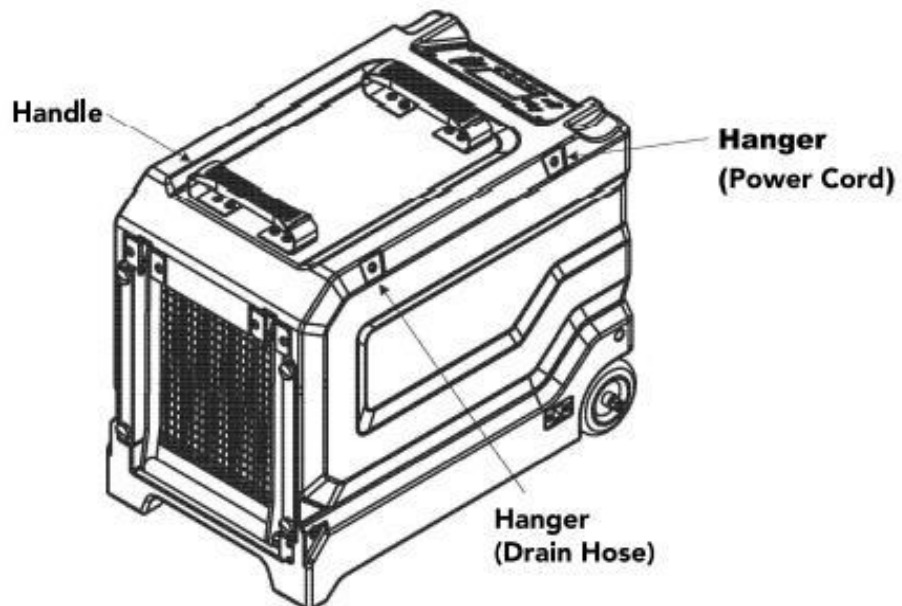
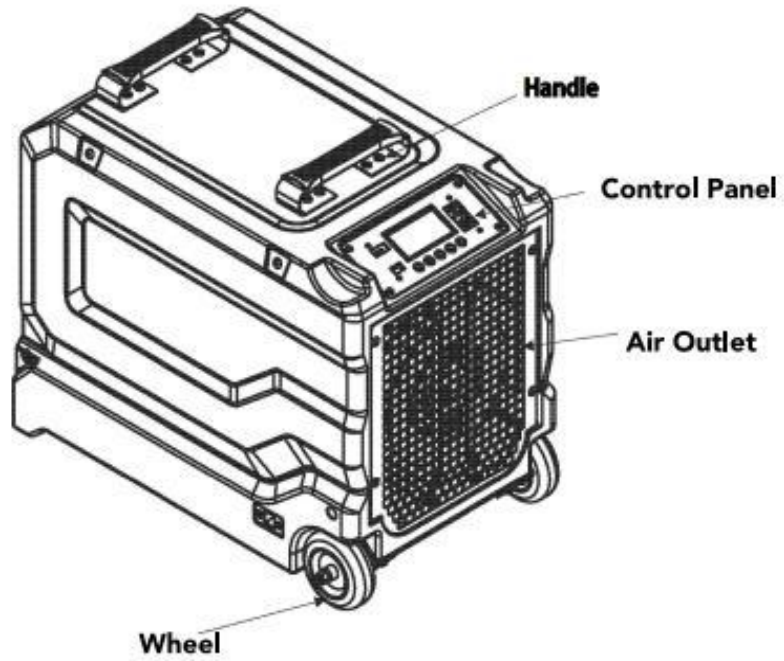


Specifications of ALGR65 Smart Dehumidifier For Basement

NO.	ALGR65 (Australian)
Power	220V/50Hz
Rated Current (A)	3.9
Power (W)	833
Dehumidification Capacity/24Hrs	127.2PPD (30°C, 80%RH) 85PPD (26.7°C, 60%RH) 20.3PPD (40°C, 20%RH) 146PPD (32°C, 90%RH)
Operating Temperature Range	1.9841°F-100.4°F
Operating Humidity Range	20%RH-90%RH
Body Size	21.34*12.34*17.42inch
Packaging Dimensions	26*17.7*22.8in
Net Weight	31.8Kg
Refrigerant	R410A/600g
Housing	PE (Rotomold)
Display Panel	LCD
20GP / 40GP / 40HQ	172/ 360/ 360
Filter	SUS304
Drain Pipe Length	6M



Structure of ALGR65 Air Dehumidifier For Basement





Applications of ALGR65 Dehumidifier

