



## PRO165 Dehumidifier For Grow Tent

Preair PRO165 dehumidifier for grow tent is the smallest one among the PRO series of dehumidifiers. The [PRO165 dehumidifier for grow tent](#) can help you accurately control the humidity in the greenhouse and protect plants. Improve the survival rate and reduce the loss. If you want to buy small dehumidifiers for grow tent, you can choose this model. We can also take customized orders to meet your specific needs.

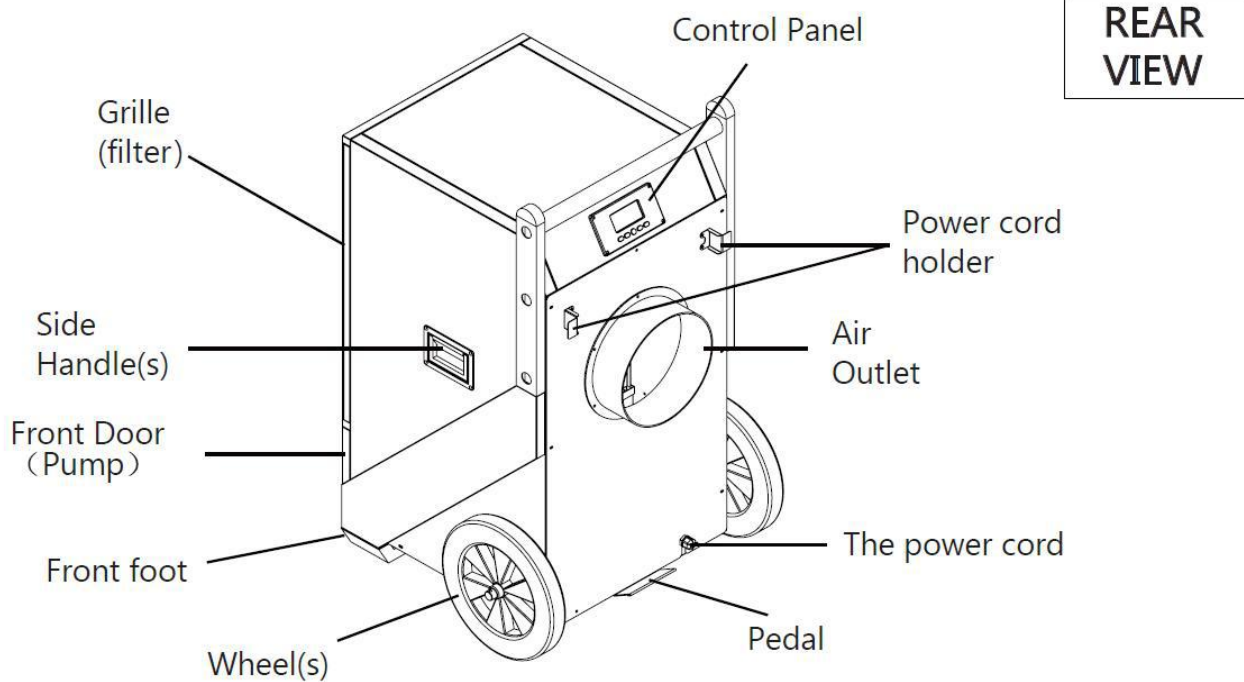
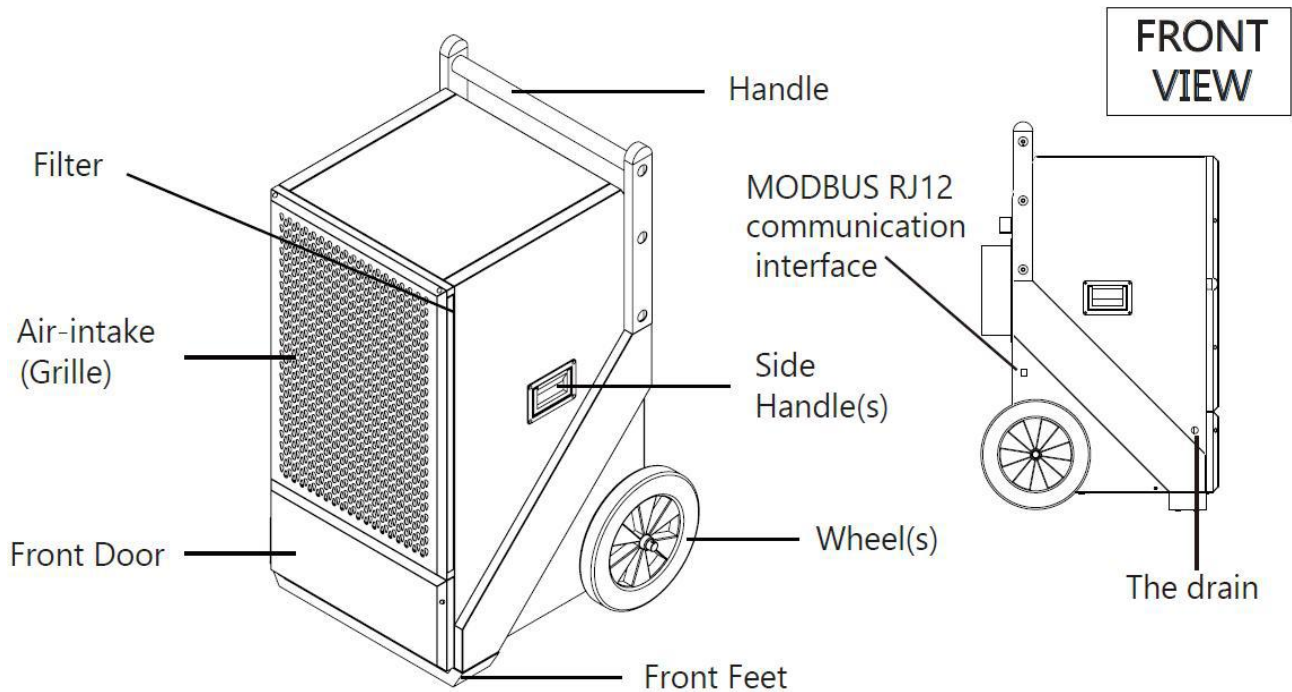


## Specifications of PR0165 Commercial Dehumidifier for Grow Room

NO.	PR0165
Power Supply	115V/60HZ
Rated Current (A)	9.7
Rated Power (W)	1068
Dehumidification Capacity	265 PT/Day (30°C/80%RH) 165 PT/Day (26.7°C/60%RH) 300 PPD/Day (32°C/90%RH)
Operating Temperature Range	41°F -95°F
Operating Humidity Range	30%RH-90%RH
Body Size	663*639*1067mm 26*25*42 inch
Packaging Dimensions	728*716*1245mm 28.6*28.2*49 inch
Net Weight	74 kg 163 lbs
Refrigerant	R410/1200g
Housing	Water pump
Display Panel	LCD liquid crystal
20GP / 40GP / 40HQ	24*96*48
Filter	SUS304
Drain Pipe Length	6M

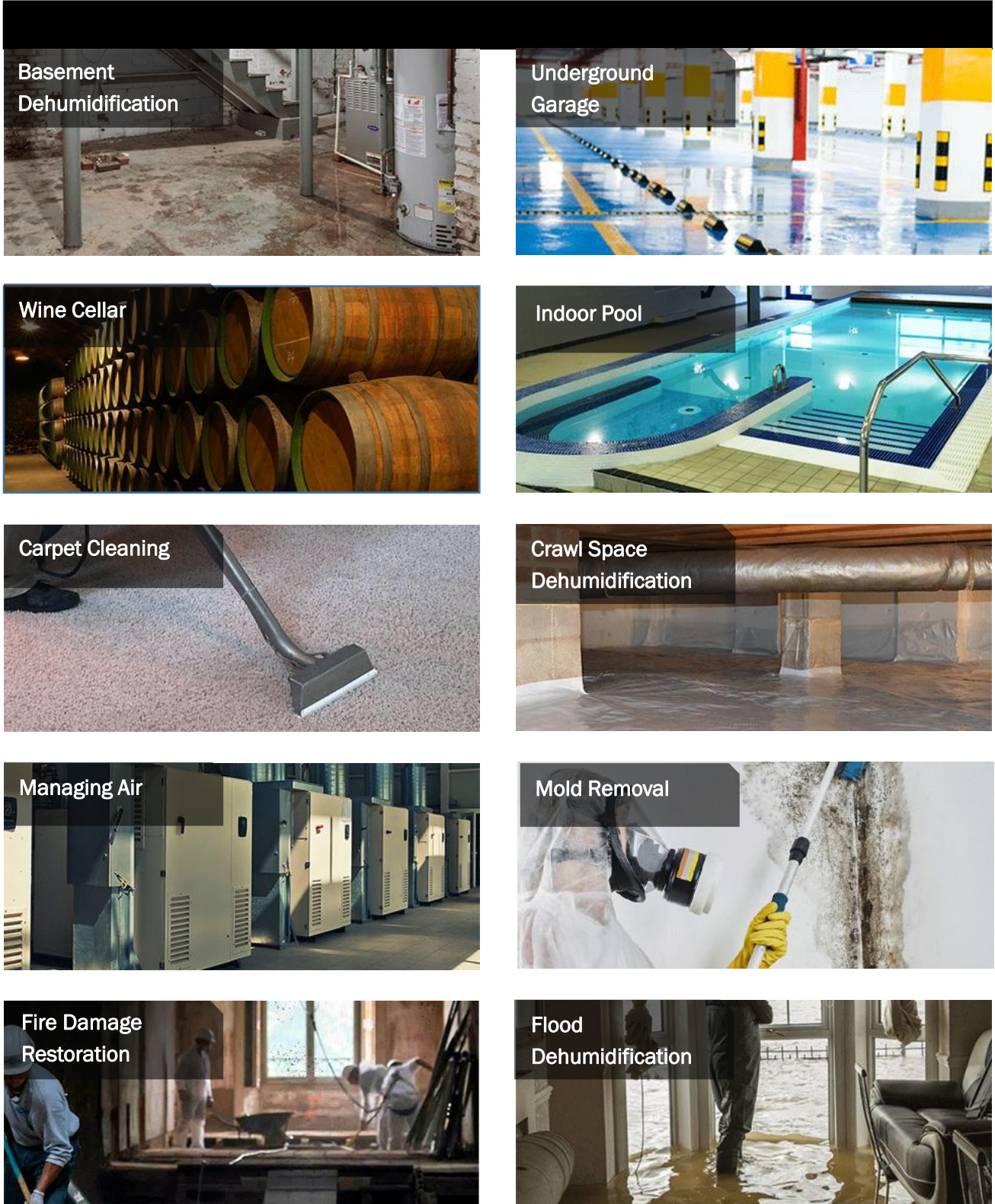


## Structure of PR0165 Cultivation Dehumidifier





## Applications of PRO165 Dehumidifier







www.preair.com

robert@hzhongtai.com

Water Damage  
Restoration



Construction



Hospital and  
Healthcare Facilities



Janitorial and  
Sanitation



Agriculture



Distribution and  
Logistics



Energy and Utilities



Industrial and  
Manufacturing



Science and  
Technology



Sports and  
Recreation

