



WH95 Whole Home Dehumidifier for HVAC System

The WH95 central dehumidifier can be directly connected to the HVAC system or installed separately for indoor dehumidification and air freshening. The negative pressure may occur after the dehumidifier is connected to the pipeline of the ventilation system. Given this problem, the WH95 whole house dehumidifier has focused on structural optimization, which can avoid the leakage of the drainage pipe. The air inlet and outlet of the dehumidifier can perfectly realize indoor and outdoor air circulation. Users can use the TrolMaster / K30 to control the WH95. Welcome to inquire!

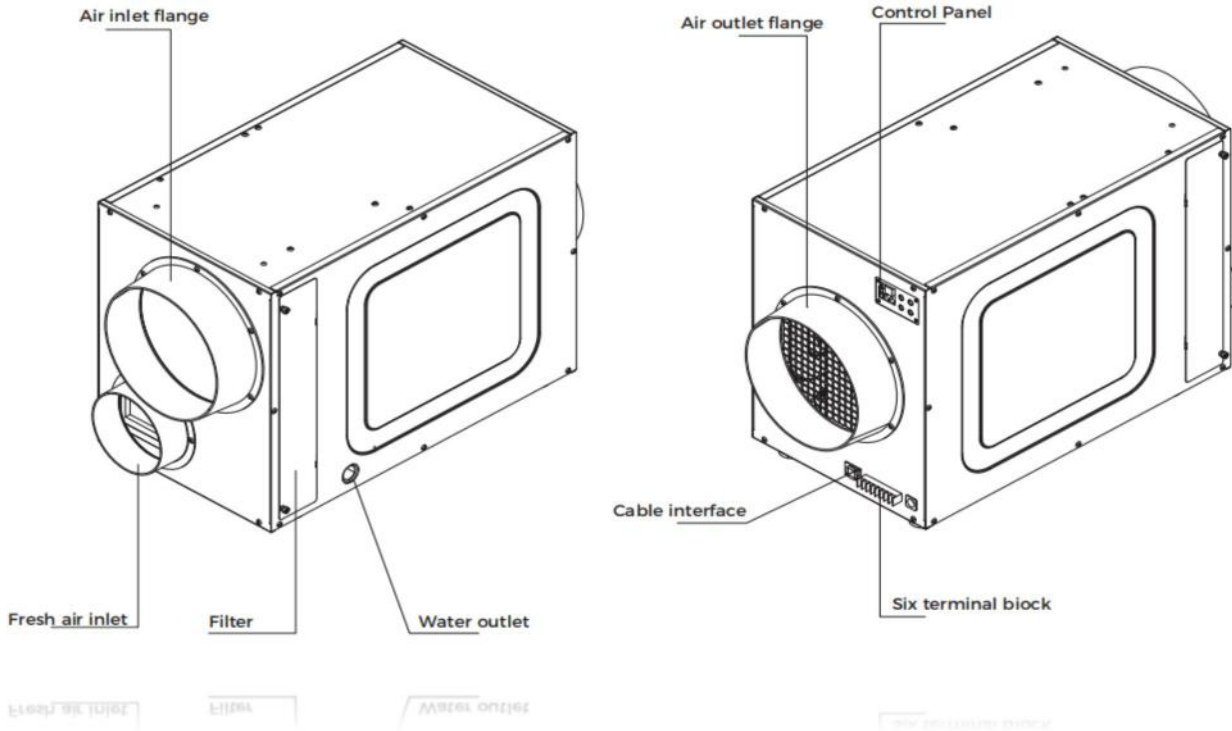


Specifications of WH95 Dehumidifier for Whole Home

NO.	WH95
Power	115V/60HZ
Rated Current (A)	5.66
Rated Power (W)	640
Energy Efficiency (L/kWh)	2.83
Air Volume	315CFM
Noise(dB)	65
Dehumidification Capacity (30°C 80%RH)	173PPD
Dehumidification Capacity (26.7°C 60%RH)	95PPD
Dehumidification Capacity (32°C/90%RH)	210PPD
Functioning Temperature Range	5°C-35°C
Functioning Humidity Range	10%-90%RH
Commercial Use	Home
Refrigerant	R32
Filter Screen	MERV8
Drainage Method	3/4NPT direct drainage



Structure of WH95 Dehumidifier Whole House



Compatible with Honeywell and TrolMaster Controller



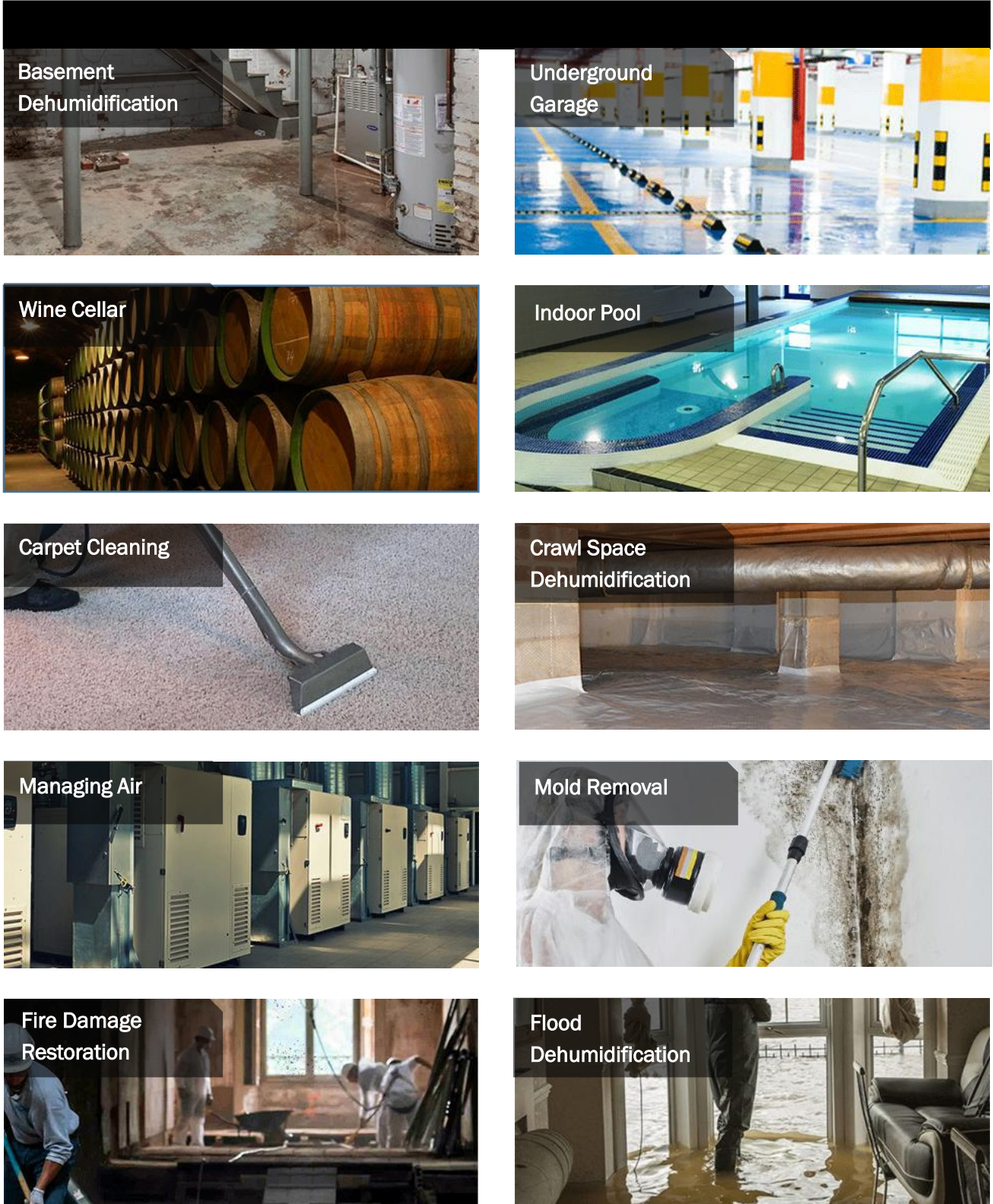
Honeywell



TrolMaster



Applications of WH95 HVAC Dehumidifier





www.preair.com

robert@hzhongtai.com

Water Damage Restoration



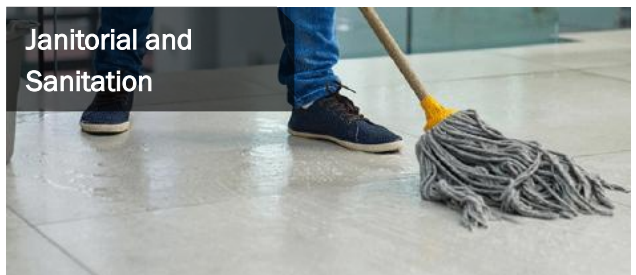
Construction



Hospital and Healthcare Facilities



Janitorial and Sanitation



Agriculture



Distribution and Logistics



Energy and Utilities



Industrial and Manufacturing



Science and Technology



Sports and Recreation

